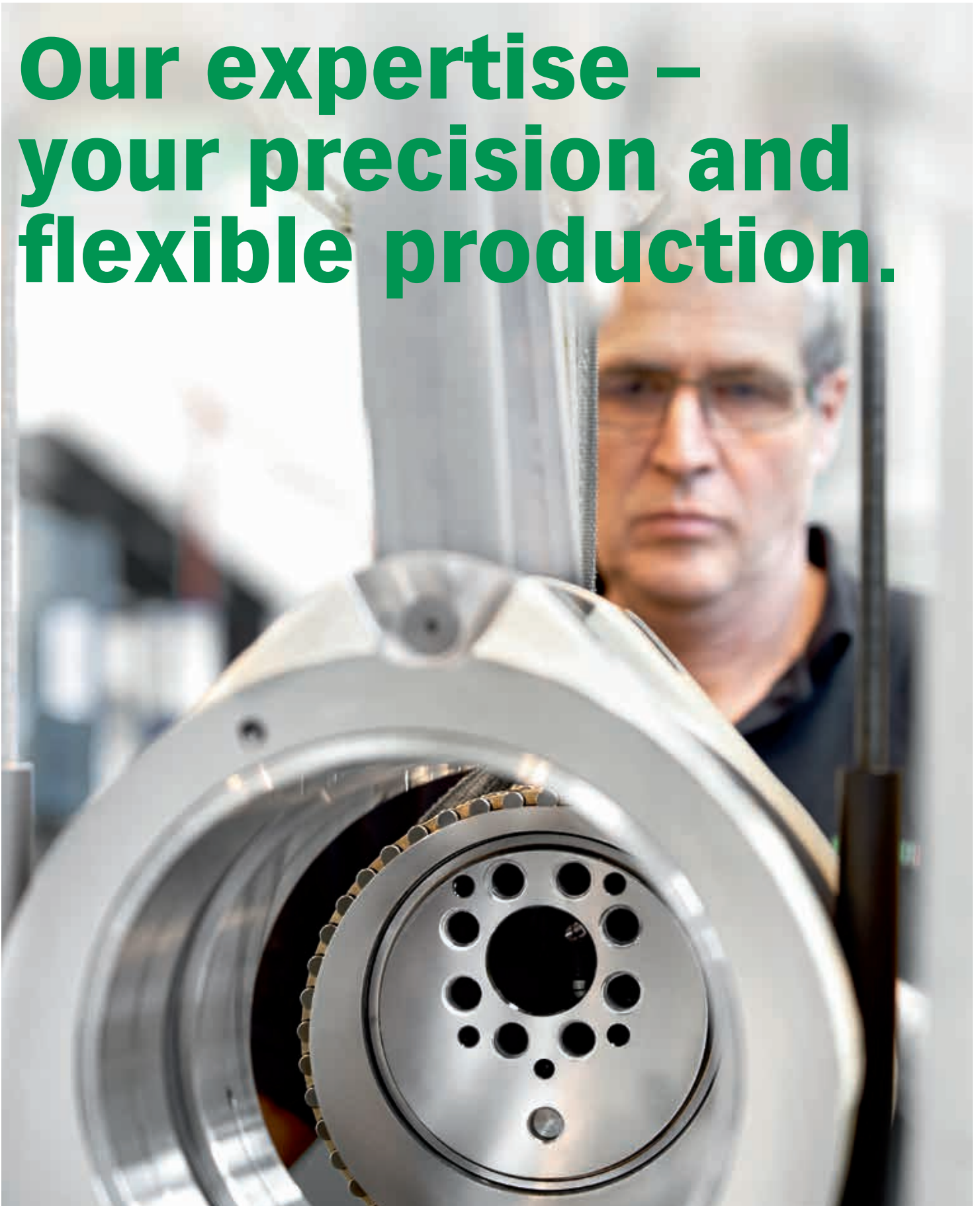


BSTA 510

BRUDERER+

PRECISION – SWISS MADE

**Our expertise –
your precision and
flexible production.**





Our experience – for your benefit.

Every BSTA stamping press contains decades of experience that we have built up, in responding to the demands of ambitious customers.

Important innovations and solutions which pay attention to the little details are designed to help you produce more efficiently using our machines. Try them out for yourself.

The advantages of the BSTA 510 at a glance.

Adjustable stroke with mass balancing system together with latest control technology:

- for a multitude of applications
- for a wide variety of stroke heights

Thermoneutral ram-guiding system with tilting point control at strip level:

- for long tool life
- for optimum part quality

Ram adjustment during operation under production conditions:

- for an optimized tool set-up

Powerful clutch and brake unit

- for improved first and last strikes and therefore reduced waste

Micro-tolerances maintained in the bottom dead center (BDC):

- for increased process stability

Precision engineering and the unique BRUDERER drive and lever system:

- for improved reliability and durability across the whole mechanical system

Integrated measuring and monitoring function:

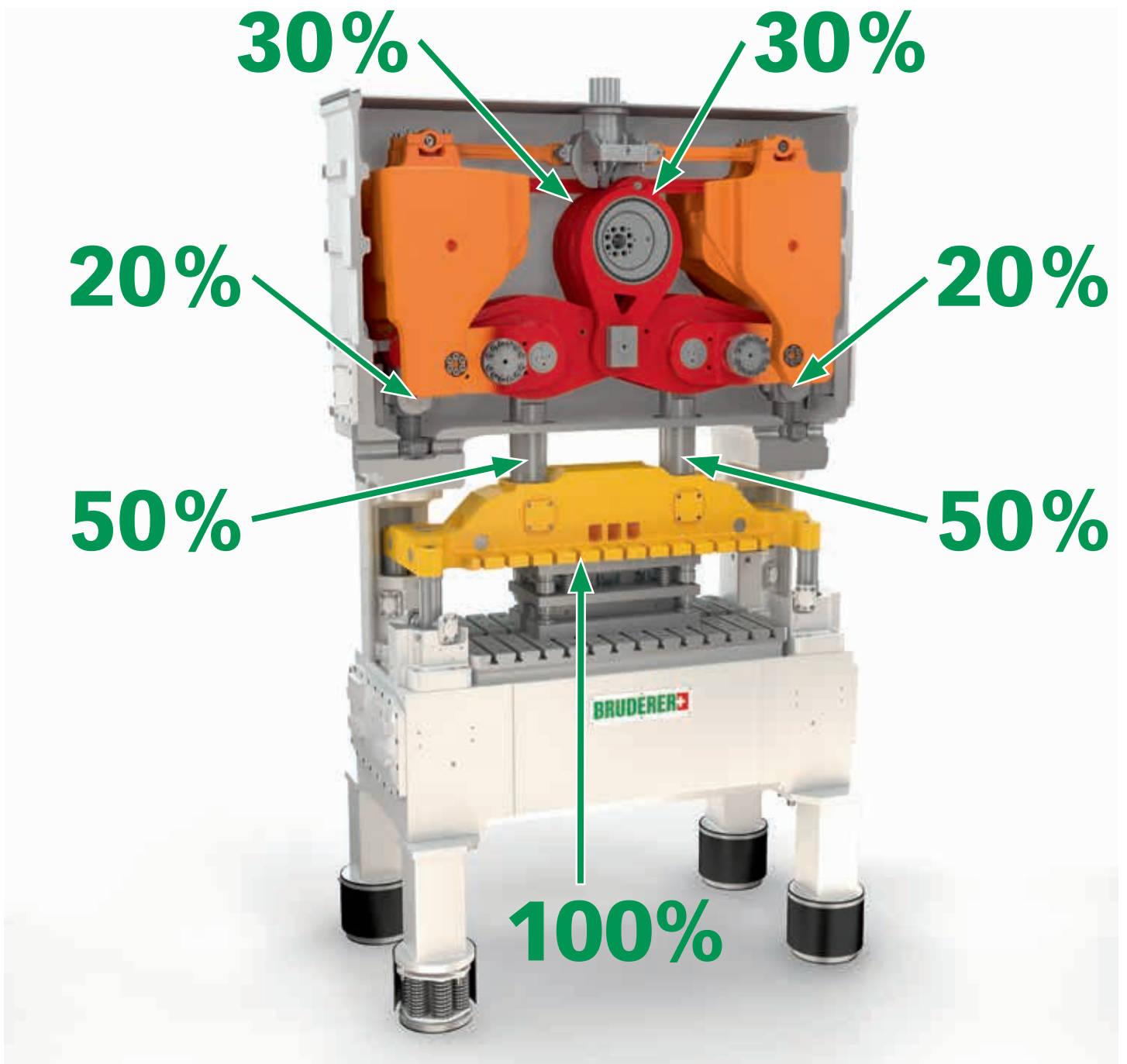
- improved process optimisation by means of simple control system usability

Easy attachment of peripheral devices:

- for quicker integration and maximum productivity

Power put to work in the right place.

Thanks to the unique lever system of the BSTA stamping press, the load acting on the ram is distributed across the system. This load distribution, together with the absolute minimum clearance and the efficient lubrication system, is a crucial factor in the high durability and consistent precision of the machine.



Making sure you can produce quicker, for longer and with more precision.

Regular stamping processes.

Thanks to the unique lever system, the hardened ground ram adjustment spindles only take up 20% of the total load each. This construction makes it possible to adjust the ram height during stamping and to maintain the BDC to the closest of tolerances throughout.

Longer tool life thanks to good guidance.

To prevent deflection of the punches when running the press with eccentric loads, the ram guide elements are placed exclusively on the same level as the strip. The guide bearings ensure that the thermal influences acting on the ram guides are compensated for, which in turn increase tool life.

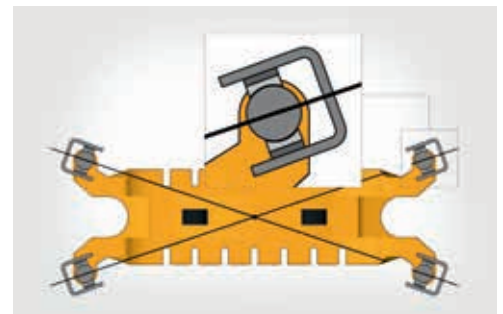
More flexibility thanks to the right setting.

The quicker stroke change enables different stroke height settings to be set quickly and safely, thus ensuring high levels of flexibility and a wide variety of implementations.

The feed timing of the strip feeder is thus synchronised without additional procedures



Ram adjustment during operation under production conditions.



Thermoneutral ram-guiding to compensate for horizontal expansion due to fluctuations in temperature.



Quicker stroke change for more flexibility.

Proven solutions.

Leading companies around the world have come to rely on the advantages that BRUDERER fully-automated stamping presses can provide, implementing their manufacturing expertise with our machines to make high-precision parts for products that have become indispensable in our everyday lives.

Wherever the ultimate in availability and precision is required at high and low stroke rates, BRUDERER is there to provide what is needed – for suppliers in the automotive industry, for the manufacturing of connectors for the electronics, electrical engineering and computer industries, for parts for watches and metal packaging for the food industry, to cite just a few examples.

This is how we support our customers, with our expertise and the added precision that our stamping presses provide when it comes to manufacturing quality products.



Competence centres:

BRUDERER GMBH

Kieferstrasse 28, D - 44225 Dortmund
☎ +49 231 79 20 22-0, 📠 +49 231 71 91 53
info.de@bruderer.com

BRUDERER MACHINERY INC.

1200 Hendricks Causeway, Ridgefield, NJ 07657, USA
☎ +1 201 941 2121, 📠 +1 201 886 2010
info@brudereramericas.com

BRUDERER MACHINERY (SUZHOU) CO., LTD.

No. 485 Suhong Middle Road, Suzhou Industrial Park
Jiangsu Province, P.R. China 215027
☎ +86 512 6258 8292, 📠 +86 512 6258 8293
info.cn@bruderer.com

BRUDERER PRESSES (FAR EAST) PTE LTD.

65 Loyang Way, Singapore 508755
☎ +65 6546 8121, 📠 +65 6546 8131
info.sg@bruderer.com

BRUDERER PRESSES K.K.

Yakou 2306-2, Sakae-Machi, Inba-Gun, Chiba-Ken Japan 270-1502
☎ +81 476 801 788, 📠 +81 476 851 277
info.jp@bruderer.com

BRUDERER UK LTD.

Cradock Road, GB-Luton, Bedfordshire LU4 0JF
☎ +44 1582 56 03 00, 📠 +44 1582 57 06 11
info.uk@bruderer.com

Sales and service:

BRUDERER (DONGGUAN) MACHINERY CO., LTD.

Unit E1-22, Changrong International Machinery
Hardware Business Mansion
ZhenAn Avenue WuSha Road, ChangAn Town
Dongguan City, P.R. China 523859
☎ +86 769 8188 8180, 📠 +86 769 8188 7797
info.bdg@bruderer.com

BRUDERER IBERICA, S.L.

Pol. Ind. Magarola Sud, C/. Cerámica 5 - Nave B-1
E-08292 Esparraguera (Barcelona)
☎ +34 93 770 84 60, 📠 +34 93 779 51 15
info.es@bruderer.com

BRUDERER PRESSES FRANCE S.A.R.L.

Z.I. du Petit Parc, F - 78920 Ecquevilly
☎ +33 1 34 75 00 40, 📠 +33 1 34 75 52 36
info.fr@bruderer.com

BRUDERER PRESSES INDIA PVT LTD.

2, Chandragupta Estate, Ground Floor, Andheri Link Road
Near Monginis Andheri West, Mumbai 400 053, India
☎ +91 22 6695 1945/46, 📠 +91 22 6695 1948
info.in@bruderer.com

Distribution Partners:

See www.brunderer.com

BRUDERER AG

Egnacherstrasse 44, CH-9320 Frasnacht, Switzerland
☎ +41 71 447 75 00, 📠 +41 71 447 77 80

For more information about BRUDERER and our products,
services and subsidiaries, visit www.brunderer.com

BRUDERER 

PRECISION – SWISS MADE